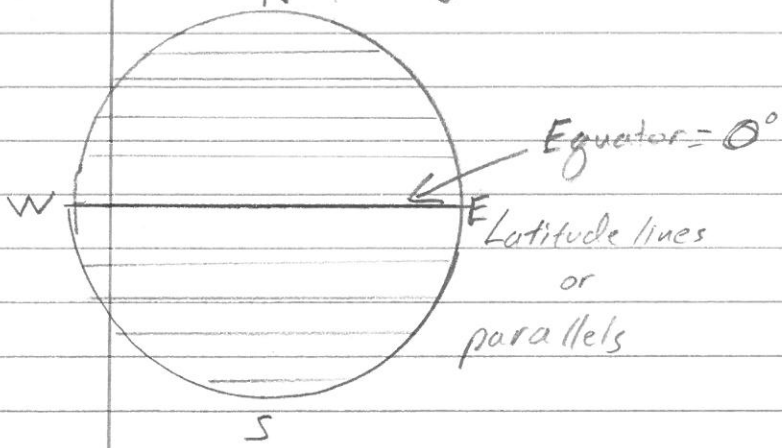


Latitude / Longitude notes

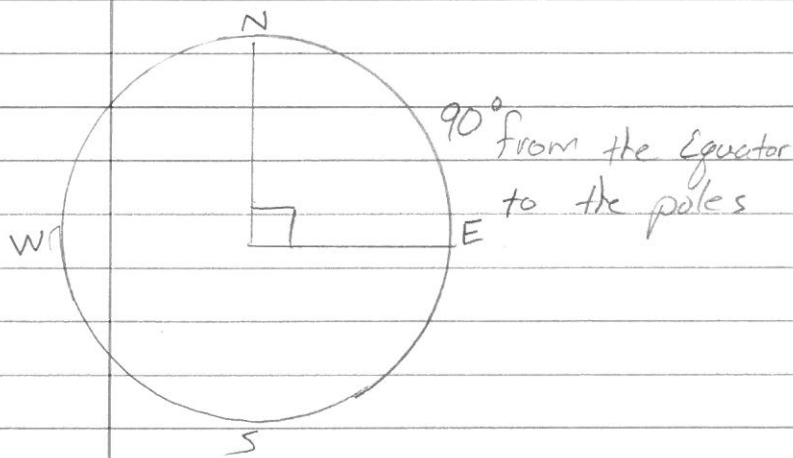


lat./long. is measured in degrees, minutes, and seconds

lat./long. pairs are called coordinates

lat./long. is used for absolute location.

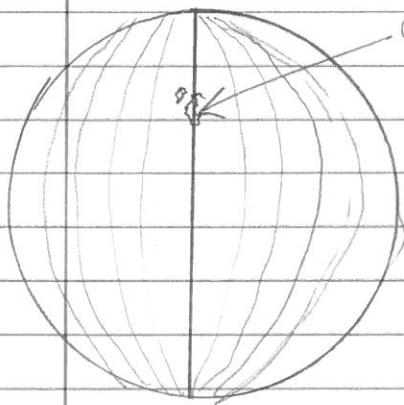
street address is also considered an absolute location



the cardinal directions are North, South, East, and West

A hemisphere is $\frac{1}{2}$ of the earth. Can be divided east/west or north/south. hemi = half

The Prime Meridian runs through Greenwich, England



The Prime Meridian = 0°

Longitude lines
or
meridians

Lines converge at the poles